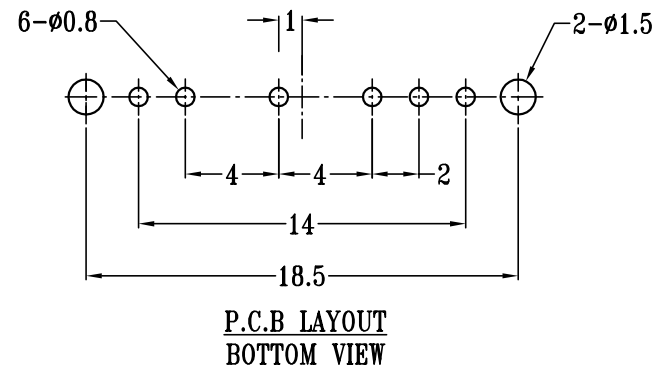
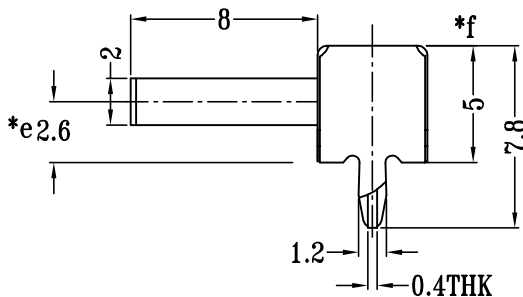
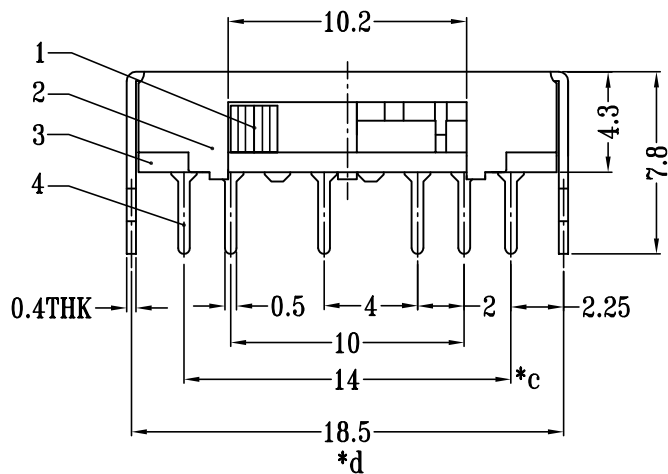
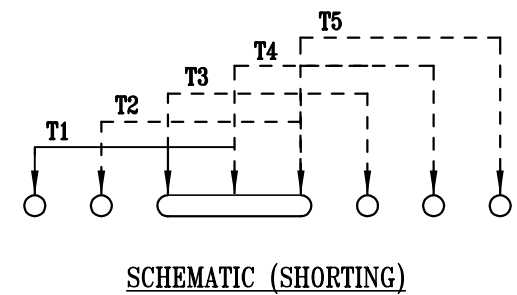
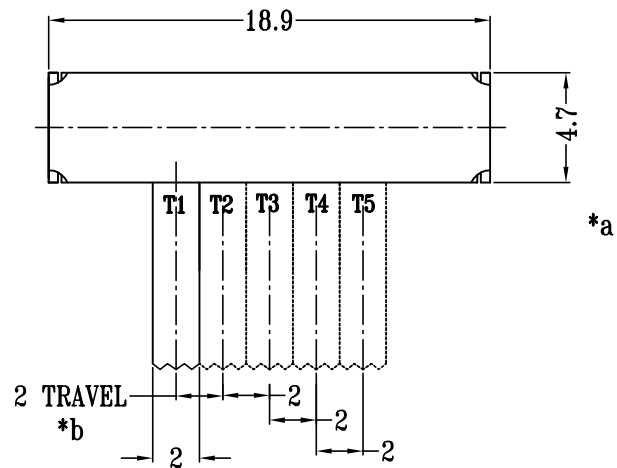


CAD FILE:



注：“*”表示关键尺寸（6个）

NO.	PARTS	MATERIALS	Q'TY	FINISH	TOLERANCE UNLESS SPECIFIED						
8					WITHIN 1.5mm : ±0.1mm						
7					OVER 1.5mm : ±0.2mm						
6	SPRING PLATE	SUS304	1	NATURAL		A	2017-08-12	初版			曾鹏
5	CONTACT CLIP	C5210R	1	Ag CLAD		ISSUE	DATE	DESCRIPTIONS OF REVISION			APPD.
4	TERMINAL	C2680R	6	Ag PLATED	TITLE : HORIZONTAL SLIDE SWITCH			UNIT : mm	DRWG NO.: LT-DR-SK15D01G8-00		
3	BASE	PHENOLIC RESIN	1	NATURAL	MODEL: SK15D01G8 高温金码无唛			SCALE: 3:1	DWN.	吴开庆	2017-08-12
2	FRAME	SPCC	1	Sn PLATED	东莞市德沃电子科技有限公司 Dongguan Dewo Electronics Technology Co., Ltd.				CHK'D	曾小伟	2017-08-12
1	KNOB	PA66	1	BLACK					APPD.	曾鹏	2017-08-12